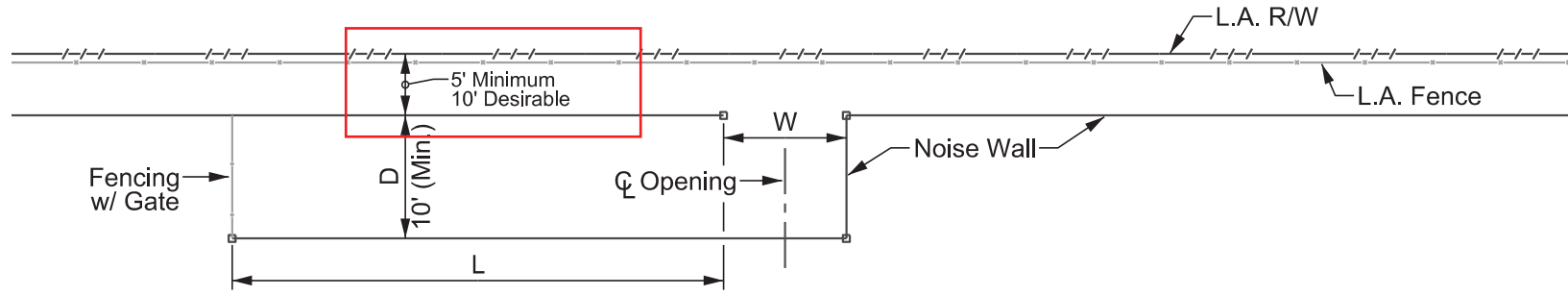


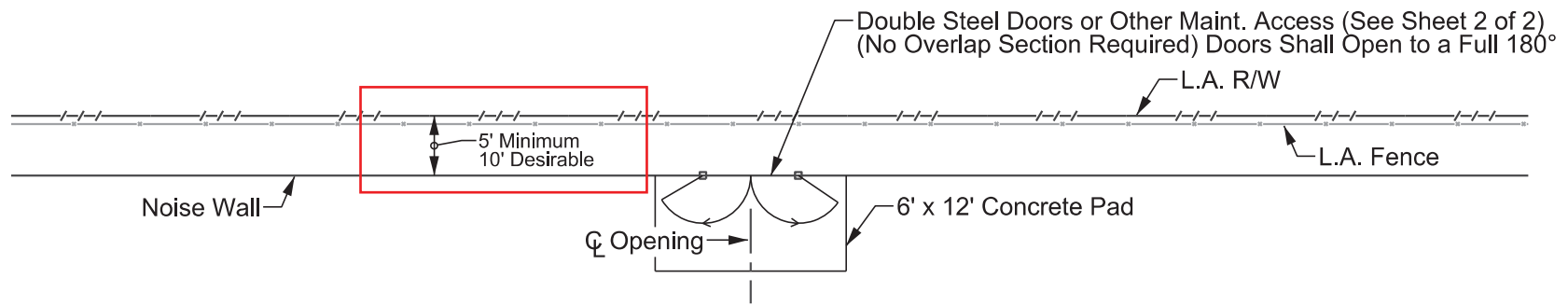
Option 1

← ← Direction Of Travel



Option 2

← ← Direction Of Travel



Option 3

← ← Direction Of Travel

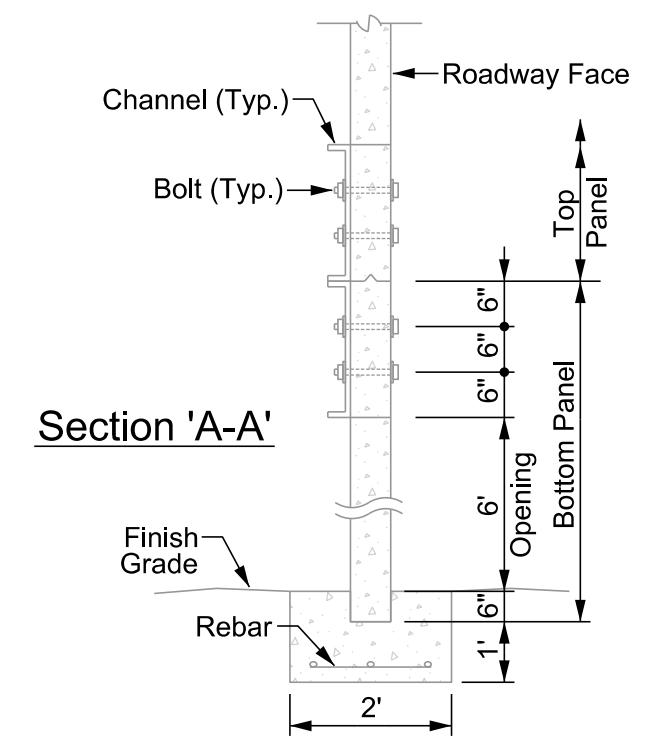
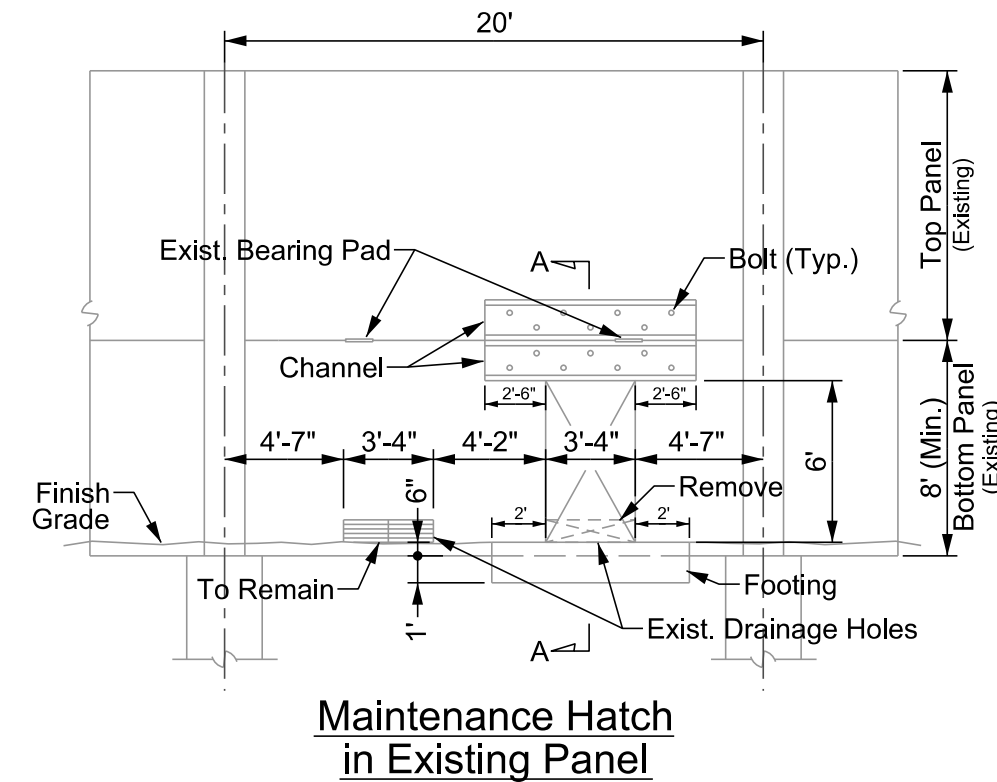
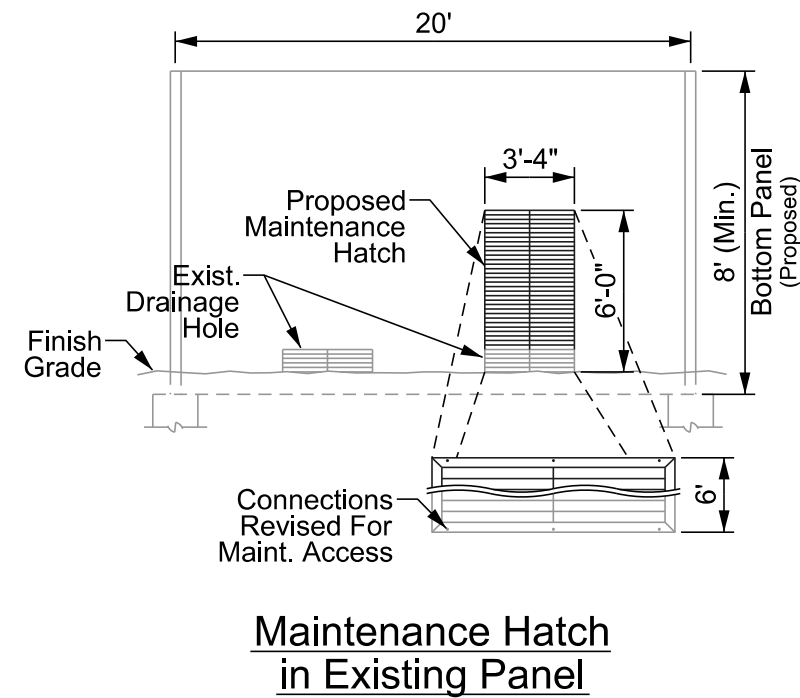
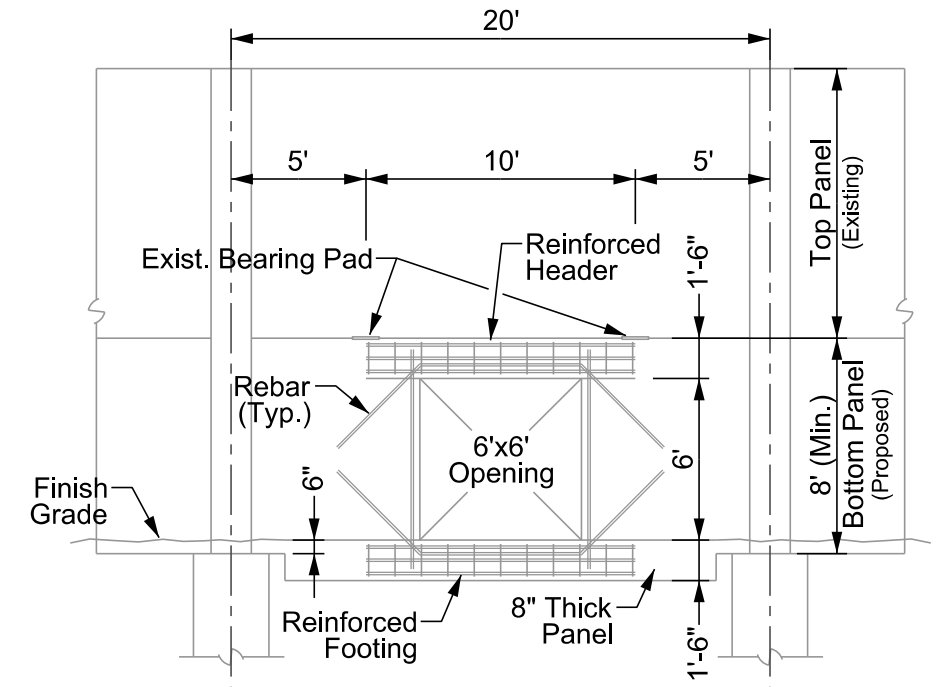
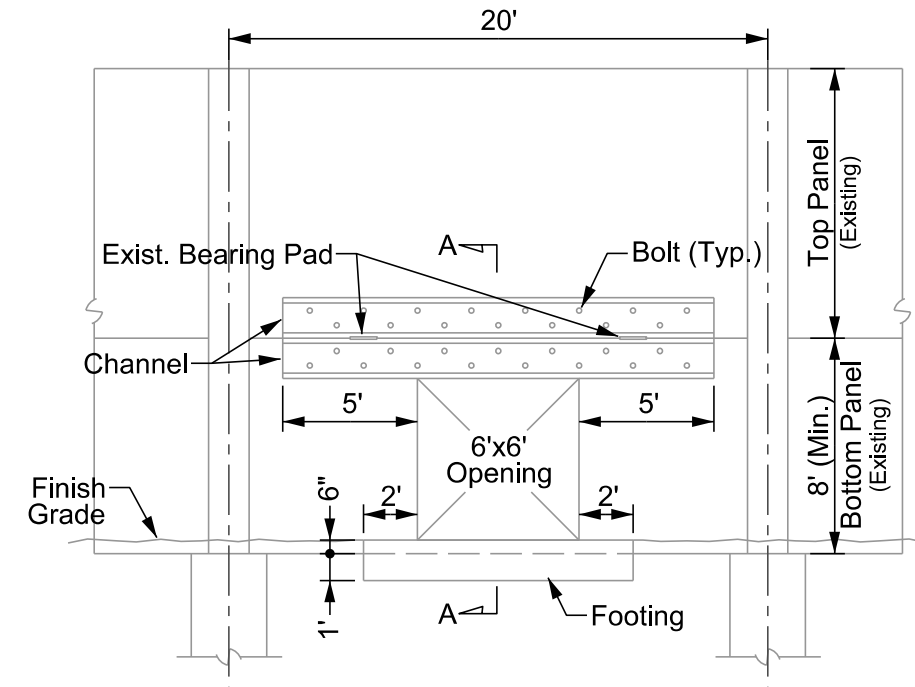
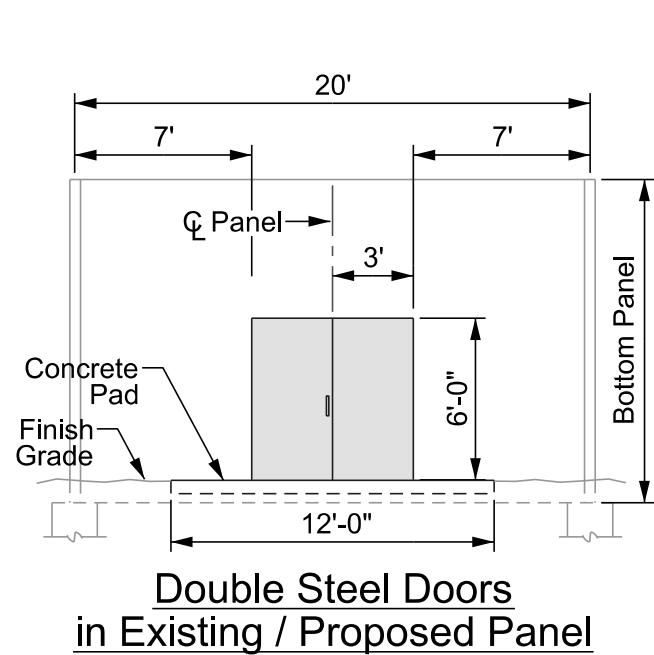
TABLE OF VARIABLES	
D	= Offset at Wall Overlap (10' Min.)
W	= Opening Width (10' Min.)
L	= Wall Overlap (4 x D)

CONCEPTUAL DETAILS ONLY

9/21/2015 N:\TPPH\2014 Addendum\3\32.3 Noise Abatement Criteria\Working Files\Noise_Open - 20150918.dgn



9/21/2015 N:\TPPH\2014 Addendum 3\32.3 Noise Abatement Criteria\Working Files\Noise_Open - 20150918.dgn



CONCEPTUAL DETAILS ONLY

