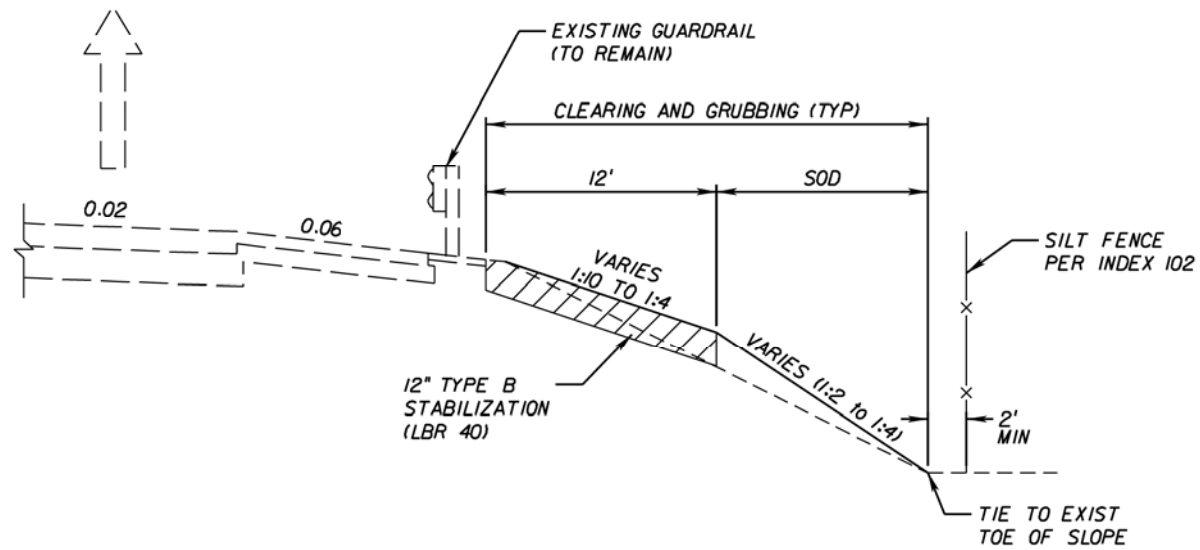


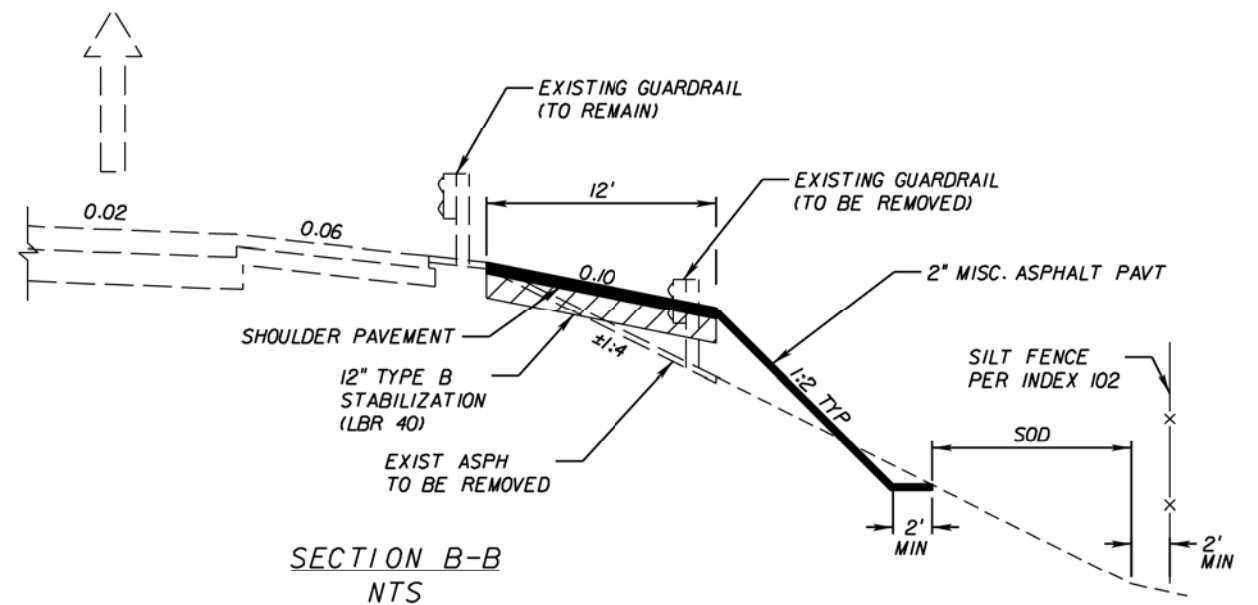
LIMITS OF SHOULDER PAVEMENT

MAINTENANCE ACCESS DETAIL
NTS

SHOULDER PAVEMENT
NEW CONSTRUCTION
OPTIONAL BASE GROUP 3 WITH
TYPE SP STRUCTURAL COURSE (TRAFFIC B) (1 1/2")



SECTION A-A
NTS



SECTION B-B
NTS

REVISIONS				STATE OF FLORIDA DEPARTMENT OF TRANSPORTATION			MAINTENANCE ACCESS DETAIL	SHEET NO.
DATE	DESCRIPTION	DATE	DESCRIPTION	ROAD NO.	COUNTY	FINANCIAL PROJECT ID		
				SR 91				